

# OWNER'S GUIDE

10 CENTS

**Model Nos. 110-120-306,  
110-121-306, 110-140-306,  
and 110-141-306**

## ROTARY MOWER

### WARRANTY

For one year from date of purchase, MTD Products, Inc., will replace for the original purchaser, free of charge, F.O.B. factory or authorized service firm, any part or parts found to be defective in material or workmanship. All transportation charges on parts submitted for replacement under this warranty must be paid by the purchaser. This warranty does not include replacement of parts which become inoperative through misuse, excessive use, accident, neglect, improper maintenance or alterations by unauthorized persons. This warranty does not include the engine, motor, battery, battery charger or any component parts thereof. For service on these units refer to the applicable manufacturer's warranty.

The above warranty will apply only to the original owner and will be effective only if the warranty card has been properly processed. It will not apply where the unit has been used commercially.

Warranty service is available through your local authorized service dealer or distributor. UNDER NO CIRCUMSTANCES WILL THE RETURN OF A COMPLETE UNIT BE ACCEPTED BY THE FACTORY UNLESS PRIOR WRITTEN PERMISSION HAS BEEN EXTENDED.

### SAFETY RULES

Your rotary mower is a precision piece of power equipment, not a plaything. Therefore exercise extreme caution at all times.

1. Remove all sticks, stones, wire and other hazardous items from lawn before mowing. Such items are dangerous to both the mower and individuals in the vicinity of the mower.
2. Always disconnect spark plug cable during repairs or refueling operations.
3. Always start engine from side opposite discharge chute.
4. NEVER place hands or feet under mower or near discharge chute while engine is running.
5. Do not tilt mower at extreme angle while engine is running. Cut grass on hills and banks sideways, not up and down.
6. Always stop engine when not cutting grass.
7. Do not fill gas tank while engine is running. Do not spill gasoline on hot engine.
8. Keep children and pets away from area at all times during mowing operation. Never allow mower to discharge grass toward any person.
9. Do not attempt to start engine while mower is resting in high grass.
10. Check all nuts and bolts, particularly the blade bolts, for tightness. This is especially important during the initial operation period. Make this same check periodically thereafter.
11. While operating the mower, if any foreign object is struck, stop the mower and inspect for damage. Do not restart or operate the mower until all damage has been repaired.

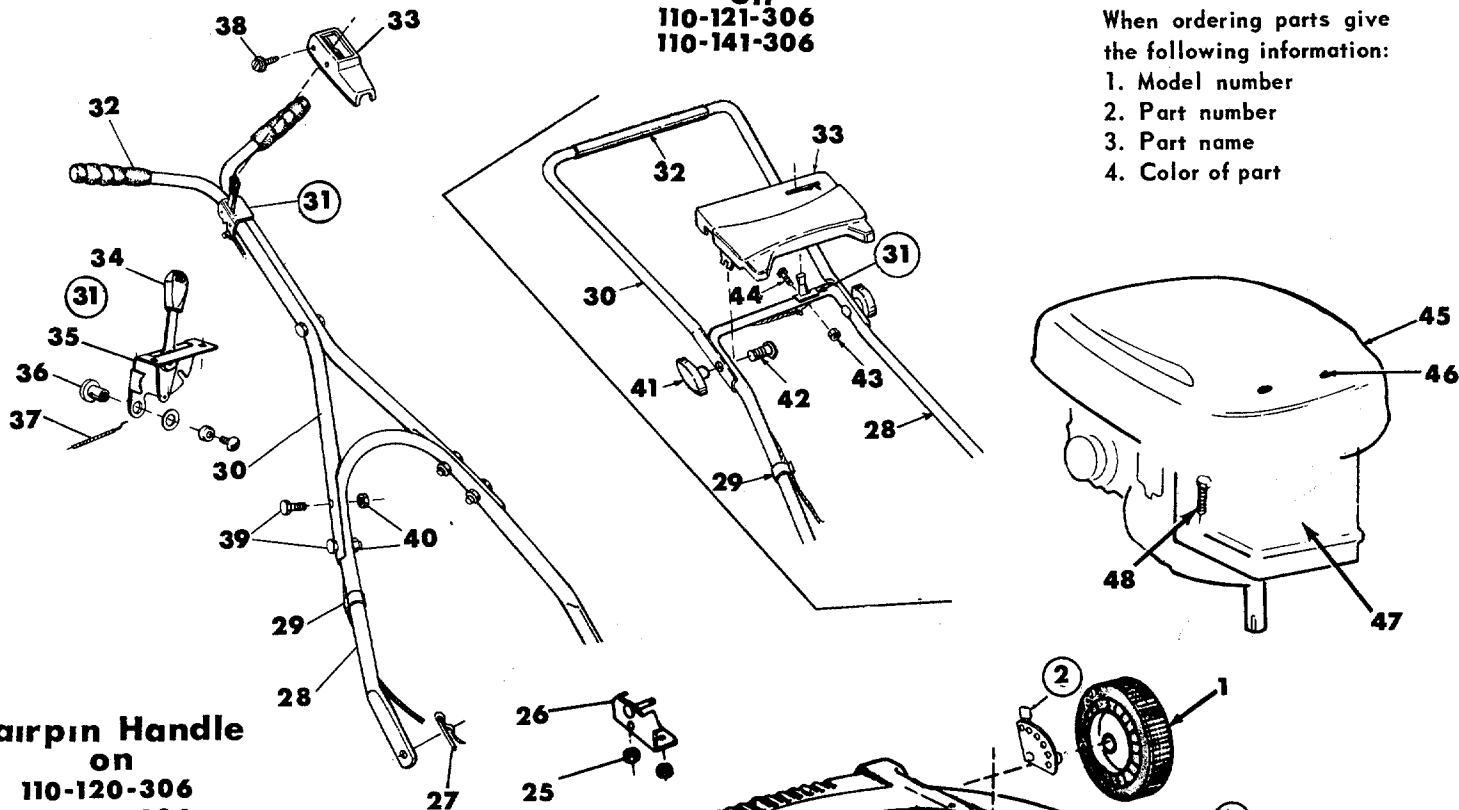
**WARNING:** Should excessive vibration develop, check your blade and crankshaft immediately. Do not operate mower with an unbalanced blade, a damaged blade or a damaged crankshaft.

## Folding Handle

on  
110-121-306  
110-141-306

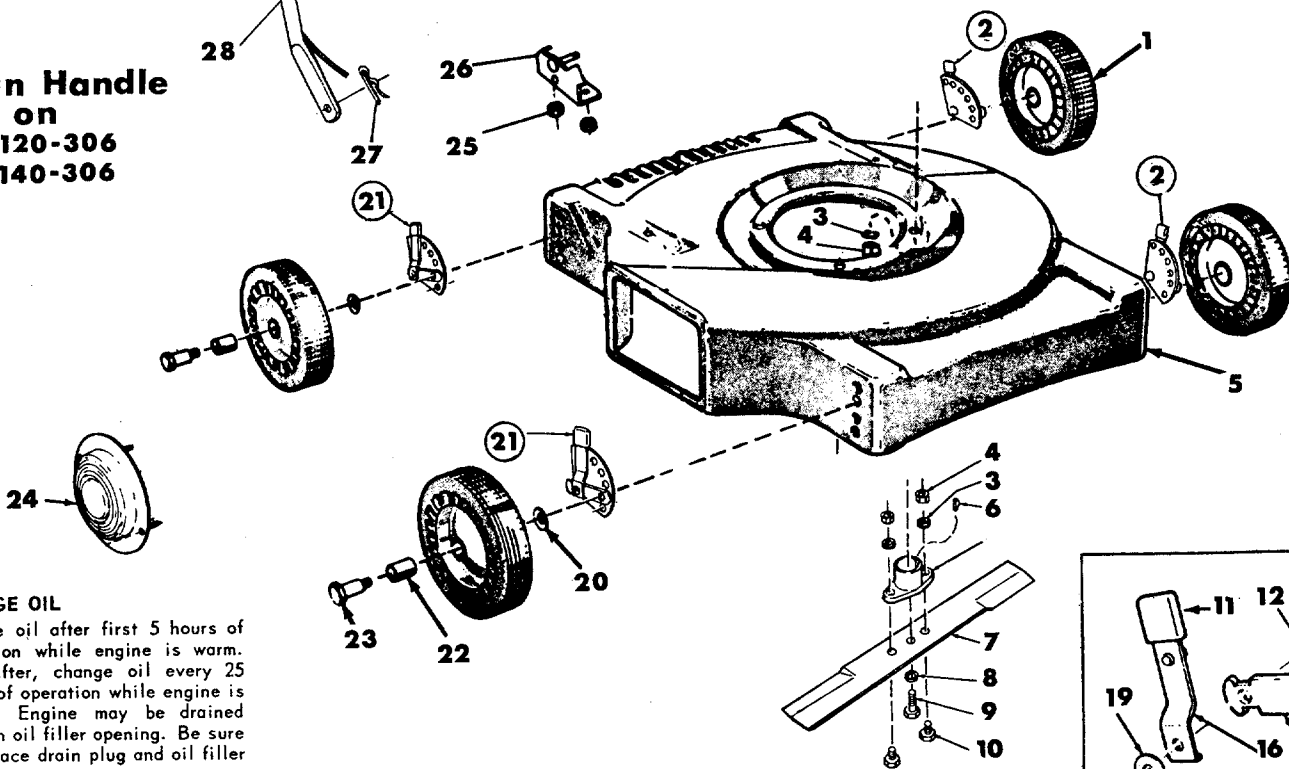
When ordering parts give the following information:

1. Model number
2. Part number
3. Part name
4. Color of part



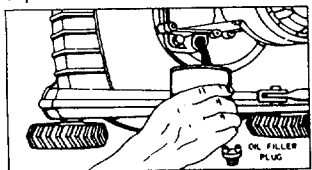
## Hairpin Handle

on  
110-120-306  
110-140-306



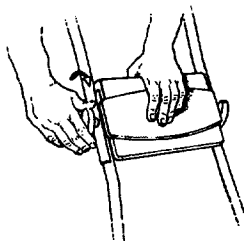
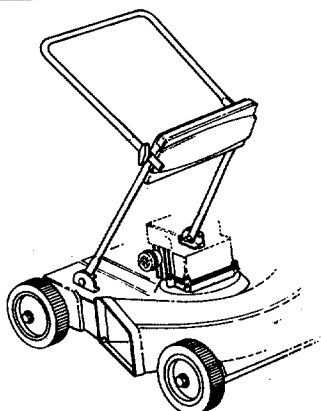
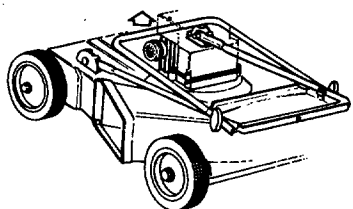
### CHANGE OIL

Change oil after first 5 hours of operation while engine is warm. Thereafter, change oil every 25 hours of operation while engine is warm. Engine may be drained through oil filler opening. Be sure to replace drain plug and oil filler cap.



### ASSEMBLY INSTRUCTIONS

110-121 & 110-141



NOTE: Before operating your mower, check all nuts and bolts for proper tightness. Be sure to check the Blade Bolt.

NOTE: Use caution in folding handles to prevent damage to Control Knobs and Wires.

PARTS FOR MODEL MOWERS 110-120-306, 110-121-306, 110-140-306, AND 110-141-306

Ref. No.	110-120-306 Part No. 504-9392	110-121-306 Part No. 504-9392	110-140-306 Part No. 505-9392	110-141-306 Part No. 505-9392	DESCRIPTION
1	NONE	310-9691	NONE	310-9691	Wheel Assembly
2	736-119	736-119	736-119	736-119	Height Adjustment L.H.—Complete
3	112-123	712-123	712-123	712-123	Spring Lockwasher 5/16 Screw*
4	351-10541	351-10541	351-10208	351-10208	Hex Nut 5/16-24 Thd.*
5	714-365	714-365	714-365	714-365	Deck Assembly
6	312-7582	312-7582	312-7581	312-7581	Key Hi-Pro #505*
7	736-169	736-169	736-169	736-169	Blade
8	710-113	710-113	710-113	710-113	Lockwasher % Screw.*
9	710-117	710-117	710-117	710-117	Hex Head Cap Screw %-24 x 1 1/8" Lg. (Heat Treated)
10	NONE	305-7520	NONE	305-7520	Hex Head Cap Screw 5/16-24 x 1" Lg. (Heat Treated)
11	NONE	710-362	NONE	710-362	Knob Height Adjuster†
12	NONE	310-9682	NONE	310-9682	Hex Bolt Special
13	NONE	310-9683	NONE	310-9683	Index Plate R.H.†
14	NONE	710-209	NONE	710-209	Index Plate L.H. (Not Shown)
15	NONE	310-7492	NONE	310-7492	Sems Hex Head Cap Screw %-16 x % Lg.*
16	NONE	310-8313	NONE	310-8313	Pivot Bar †
18	NONE	712-116	NONE	712-116	Spring Lever†
19	NONE	736-105	NONE	736-105	Elastic Stopnut†
20	736-105	736-105	736-105	736-105	Belleville Washer % I.D.
21	NONE	310-9692	NONE	310-9692	Belleville Washer % I.D.
22	305-7006	305-7006	305-7006	305-7006	Height Adjustment R.H.—Complete
23	738-102	738-102	738-102	738-102	Fortiflex Bearing
24	NONE	305-9871	NONE	305-9871	Axle Bolt
25	712-107	712-107	712-107	712-107	Hub Caps
26	310-8388	310-8388	310-8388	310-8388	Hex Center Locknut 1/4-20 Thd.*
27	310-8389	310-8389	310-8389	310-8389	Handle Bracket Ass'y.—R.H.
28	714-104	714-104	714-104	714-104	Handle Bracket Ass'y.—L.H. (Not Shown)
29	310-9306	310-10024	310-9306	310-10024	Hairpin Cotter*
30	746-145	746-145	746-145	746-145	Handle—Lower
31	310-9364	310-10011	310-9364	310-10011	Cable Clip
32	310-10029	310-10029	310-10029	310-10029	Handle—Upper
33	718-7072	718-138	718-7072	718-138	Throttle Control—Complete†
34	305-9973	351-9998	305-9973	351-9998	Grip—Handle
35	305-7470	305-7470	305-7470	305-7470	Control Cover or Handle Panel
36	310-9996	310-9849	310-9996	310-9849	Knob—Throttle Control†
37	901-7627	901-7627	901-7627	901-7627	Throttle Control Bracket†
38	732-141	732-139	732-141	732-139	Ferrule Ass'y.
39	710-148	NONE	710-148	NONE	Conduit and Wire†
40	710-106	NONE	710-106	NONE	Self-Tap Screw No. 8-32 x %" Lg.*
41	NONE	NONE	712-107	NONE	Hex Hd. Cap Scw. 1/4-20 x 1 1/4" Lg.*
42	NONE	394-9966	NONE	394-9966	Hex Center Locknut 1/4-20 Thd.*
43	NONE	710-405	NONE	710-405	Knob—Handle Folding
44	NONE	712-107	NONE	712-107	Curved Hd. Scw. 5/16-18 x 1 1/8" Lg.
45	NONE	710-106	NONE	710-106	Hex Center Locknut 1/4-20 Thd.*
46	NONE	351-8998	NONE	351-8998	Hex Hd. Cap Scw. 1/4-20 Thd.*
47	NONE	710-835	NONE	710-835	Engine Shroud
48	710-158	710-158	710-158	710-158	Self-Tap Scw. Type "A" #6 x 5/16" Lg.* Engine Engine Bolt 5/16-24 x 1 1/4" Lg.*

\*For faster service obtain standard nuts, bolts, and washers locally. If these items cannot be obtained locally, order by part number and size as shown on the Parts List.  
 †Part of throttle control complete. 310-10029 on (110-120-306 and 110-140-306)  
 ‡Part of wheel adjustment assembly, 310-9691 L.H. (Complete) and 310-9692 R.H.  
 †Part of throttle control complete. 310-10033 on (110-121-306 and 110-141-306)

## ASSEMBLY FOR MODELS 110-120 AND 110-140.

Your new mower is shipped completely assembled with the exception of the handle.

1. Remove lawn mower and all parts from carton. Make certain that all loose parts and literature are removed from carton before carton is discarded.
2. Extend throttle control assembly, which is attached to rear of mower and place on floor. CAUTION: Do not bend or kink control wire.
3. A. Snap lower handle into position on two lugs which extend from either side on the rear of the deck.  
B. Assemble the two upper handle parts with cap screws and locknuts provided in parts bag. The yellow cap screw should be used to attach throttle control assembly to upper handle as shown in diagram. Do not tighten nuts.  
C. Attach upper handle assembly to lower handle with cap screws and locknuts. Tighten all nuts.  
D. Secure control wire to lower handle with cable clips.  
E. Place the plastic control cover over the throttle control and secure with two self-tapping screws.
4. Check blade bolts for proper tightness.

## OPERATION

**NOTE:** For shipping purposes your mower is set with the wheels in a low cutting height position. For best results raise the cutting position until it is determined which height is best for your lawn. See adjustments.

1. Service engine with gas and oil. See Engine Manual packed with lawn mower for complete instructions for the care and maintenance of engine. *Read Directions Carefully.*
2. When ready to start engine, place throttle control lever, on handle, in "START" position and start engine in accordance with instructions in Engine Manual. After engine starts, move throttle control lever, on handle, to desired engine speed. The engine is stopped by placing control lever on handle in the "STOP" position.
3. Be sure that lawn is clear of stones, sticks, wire or other objects which could damage lawn mower or engine. For best results and to insure more even grass distribution, do not mow when lawn is excessively wet.

## ADJUSTMENTS

**CAUTION:** Do not at any time make any adjustment to lawn mower without first stopping engine and disconnecting spark plug wire.

**EASY CUTTING HEIGHT—FOR MODELS 110-121 and 141—**An adjusting plate and thumb lever at each wheel position provides cutting height adjustment. Each adjusting plate has five holes. Height of cut will be changed when the thumb lever is moved from one hole to another. Simply depress thumb lever towards wheel and move wheel and lever assembly to desired position. Cutting height will be raised as lever is moved toward front and lowered as lever is moved toward rear. All wheels must be positioned in relative height of cut positions.

**STANDARD CUTTING HEIGHT—FOR MODELS 110-120 and 110-140—**Adjustment may be made by removing and moving wheel studs to desired position. Cutting heights will be raised as wheel studs are moved to a lower hole and lowered as wheel studs are moved to a higher hole in the deck. All wheel studs must be mounted in a relative position to the deck.

**THROTTLE** – If adjustment becomes necessary, the throttle control wire assembly can be reset as follows:

1. Loosen, but do not remove, screw securing throttle control wire assembly at engine.

2. Move throttle control lever on handle to "FAST" position.
3. Move lever, to which control wire is fastened at engine, to full open position and retighten screw to secure throttle control wire assembly.

## LUBRICATION

**IMPORTANT:** Always stop engine and disconnect spark plug wire before cleaning, lubricating or doing any kind of work on lawn mower.

**WHEELS** – Wheel bearings are of lifetime Fortiflex. They require no lubrication.

**THROTTLE** – Periodically lubricate throttle control lever and throttle wire assembly with a few drops of light oil (S.A.E. No. 10 or 20) for ease of operation.

**ENGINE** – Follow Engine Manual for lubrication instruction.

## MAINTENANCE

**CUTTING BLADE** – The blade may easily be removed for grinding or replacement as follows:

1. Remove bolt and lock washer holding blade and hub assembly to engine crankshaft.
2. Remove blade and hub assembly from engine crankshaft.
3. Remove two bolts, lock washers and nuts holding blade to blade hub.

When sharpening blade, follow the original angle of grind as a guide. It is extremely important that each cutting edge receives an equal amount of grinding to prevent an unbalanced blade. An unbalanced blade will cause excessive vibration when rotating at high speeds and may cause damage to the mower.

Upon reassembly, make certain all parts are assembled properly and tightened securely.

**DECK** – The underside of mower deck should be cleaned after each period of use as grass clippings, leaves, dirt and other matter will accumulate. This accumulation of grass clippings, etc., is undesirable as it will invite rust and corrosion and may cause an uneven discharge of grass clippings at the next cutting.

The deck may be cleaned by tilting the mower forward or on its left side and scraping clean with a suitable tool or by washing with a stream of water from a garden hose. **CAUTION:** Do not direct the stream of water at a hot engine as damage to the engine may result.

**STORAGE** – The following steps should be taken to prepare lawn mower for storage.

1. Clean and lubricate mower thoroughly as described in the preceding instructions.
2. Refer to Engine Manual for correct engine storage instructions.
3. Coat mower's cutting blade with chassis grease to prevent rusting.
4. Place blocks under deck to raise tires clear of floor.
5. Store mower in a dry clean area.

## USING YOUR ROTARY MOWER

For best results do not cut wet grass because it tends to stick to underside of the mower thus preventing proper discharge of grass clippings. If wet grass must be cut reduce engine speed and walking speed to help distribute the clippings more effectively.

New grass should be treated as wet grass, otherwise a normal walking speed is about the right pace for efficient mowing.

The best mowing pattern is one that allows the clippings to discharge towards the uncut part of the lawn. This permits recutting of the clippings to further pulverize them. When cutting high weeds, discharge towards cut portion then recut at right angles to first direction.

Lawn should be cut in the fall as long as there is growth.